

## ORC BARRACK

### Ostrzeżenie!

Ten produkt nie jest zabawką. W opakowaniu znajdują się małe elementy nieprzeznaczone dla dzieci poniżej 14 roku życia. Części modelu zostały wycięte i wygrawerowane na płytach pilśniowych. Nie powinno się wycinać ich z ramek wcześniej niż będą potrzebne do złożenia. Wszystkie części są niepalowane. Klej i farby nie stanowią części zestawu. Zawartość może się różnić od tej pokazanej na pudełku. Do przygotowania modeli i ich złożenia rekomendujemy klej i narzędzia firmy Kromlech. Produkt przeznaczony dla doświadczonych modelarzy.

### Warning!

This product is not a toy. Package contains small parts not suitable for children under 14 years. All parts are cut from high density fibreboard. Do not cut the parts from the frames until you are instructed to do so. Supplied unpainted. Glue or paints not included. Contents may vary from those shown. We recommend using Kromlech Super Glue and Kromlech Tools to prepare and assemble HDF terrain. Our products are intended for experienced modellers and may require trimming, cutting and fitting.



KRTS006  
Made in Poland



**WARNING!**  
Choking hazard!  
Not suitable for  
children under  
36 months.



Official Online Store: [bitsowar.com](http://bitsowar.com)  
Full Range of Our Products: [tabletopscenics.com](http://tabletopscenics.com)

# THANK YOU

## FOR PURCHASING ONE OF OUR HIGH-QUALITY PRODUCTS!

This guide will run you through the basic techniques and methods required to prepare, clean up and assemble HDF model. If you have any queries or problems, don't hesitate to **contact us** and our Support Team.

FIND US:



tabletopscenics



tabletopscenics



TScenics

### MAIL

support@kromlech.eu

### WEBSTORE

www.bitsofwar.com

### WEBSITE

www.tabletopscenics.com

## ASSEMBLING HDF STRUCTURES

1. Before assembling your model please read through all the instructions carefully.
2. Prepare all the tools needed for the job. Modelling knife is required to safely remove the parts from the frame - do not push them out forcefully as they can be easily damaged.
3. Remove only the parts required for the instruction step you are currently in. After the removal, it is recommended to sand the tabs and possible roughnesses left after cutting from the frame.
4. For gluing the parts together use cyanoacrylate glue or PVA. PVA glue gives more time for altering the position of the elements, while cyanoacrylate allows for a faster assembly. Always remember to dry fit beforehand, to check if all joints fit correctly.
5. Before painting the model, undercoat it with acrylic spray paint to protect the model from absorbing the water when using water-soluble paints. Give it plenty time to dry. Afterwards, you can basecoat the model with your standard hobby paints.

## SAFETY FIRST

Tools used in preparation of a HDF model require additional attention when used. Make sure to work with good quality instruments. Sharp blades and clippers' cutting bit require less force to operate - when putting too much strength in cutting, the blade may break or slide and cause serious injury. Breathing mask is recommended when using files, sandpaper, or modelling saw to avoid inhaling the dust.

KROMLECH DOES NOT TAKE RESPONSIBILITY FOR IMPROPER USE OF TOOLS AND ACCIDENTS DURING THE ASSEMBLY PROCESS.

### EXPLANATION OF SYMBOLS



DRY TEST



CUT/TRIM  
WITH CARE



GLUE



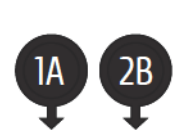
DON'T GLUE



PAY  
ATTENTION



EXTRA PART

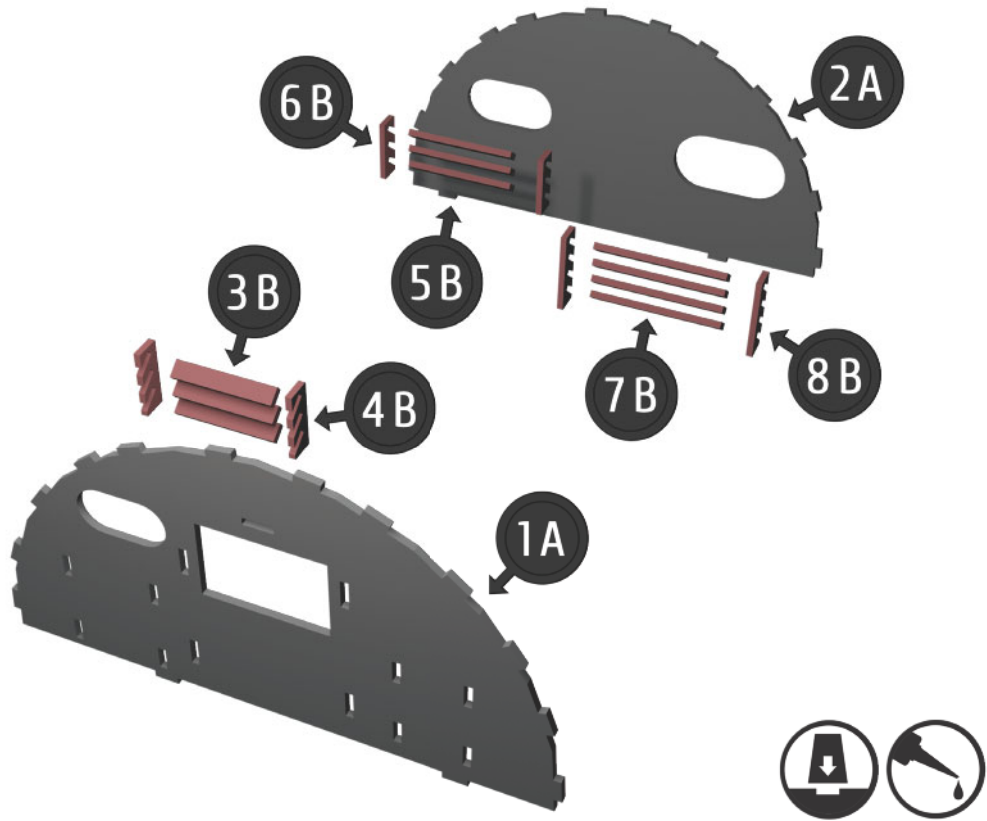


CONSTRUCTION  
ORDER

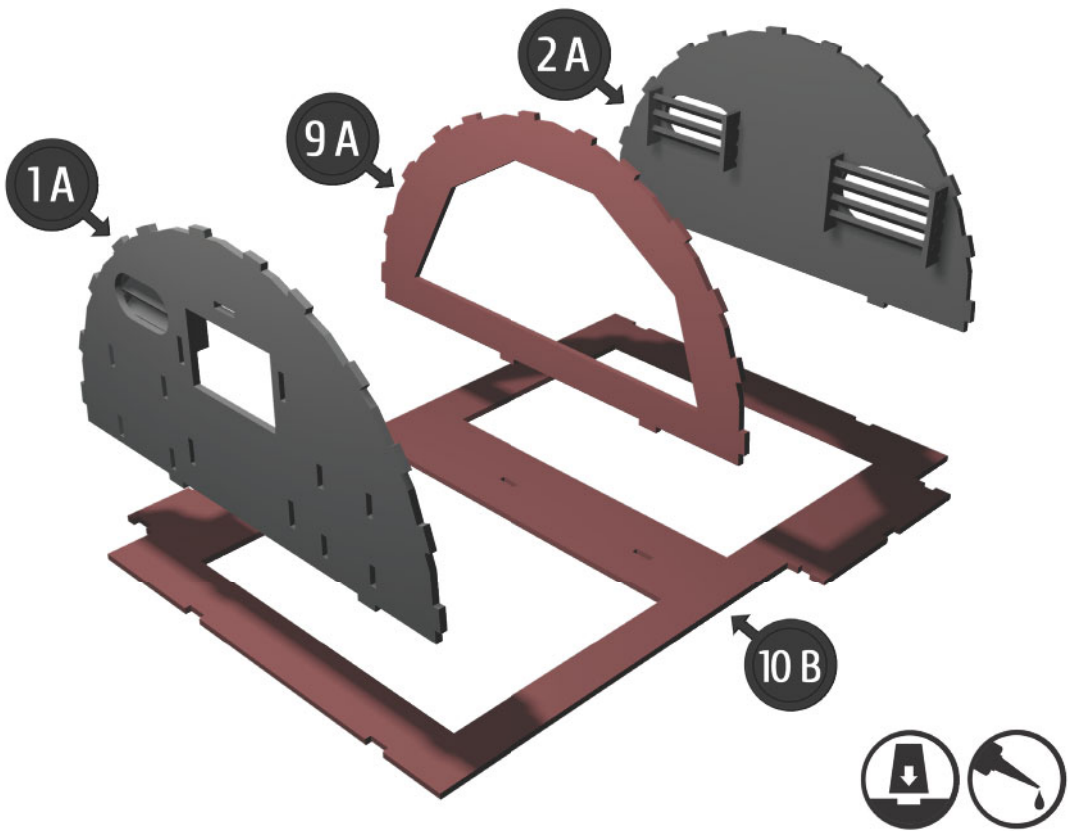
CHECK OUT THE RANGE OF  
KROMLECH TOOLS FOR BEST  
MODELLING EXPERIENCE!



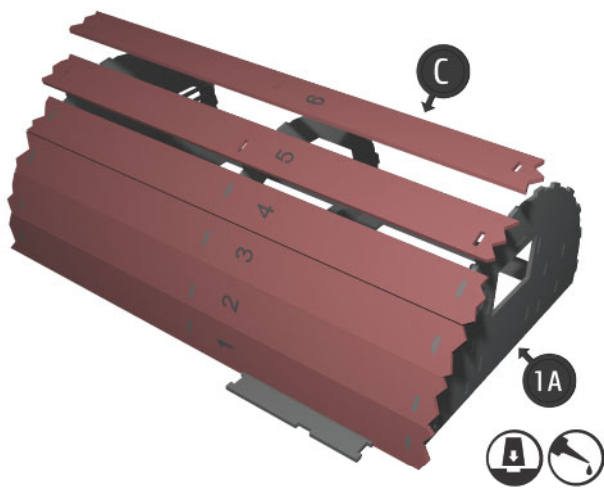
KROMLECH  
TOOLS



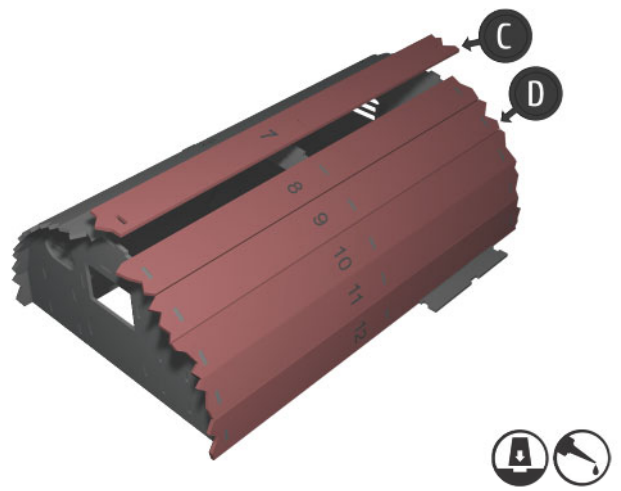
1



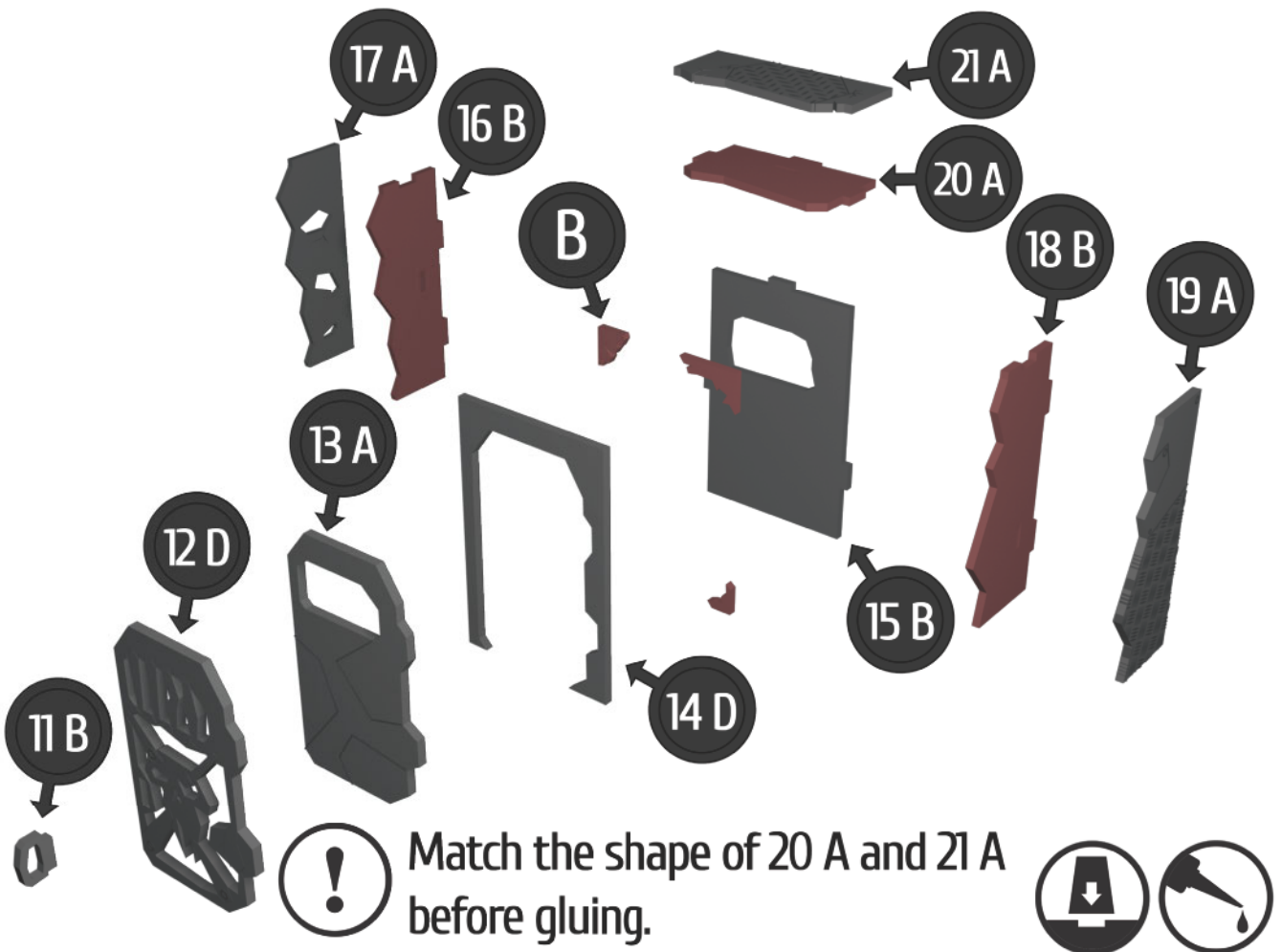
2



3



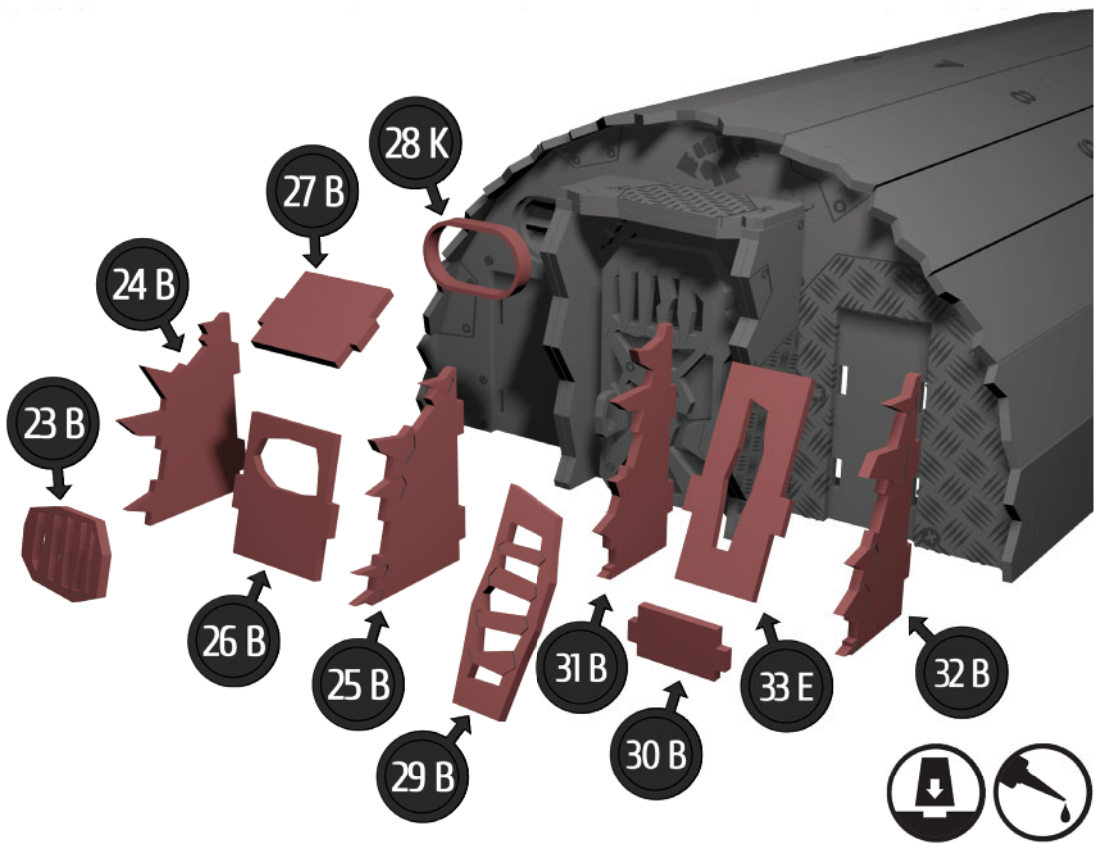
4



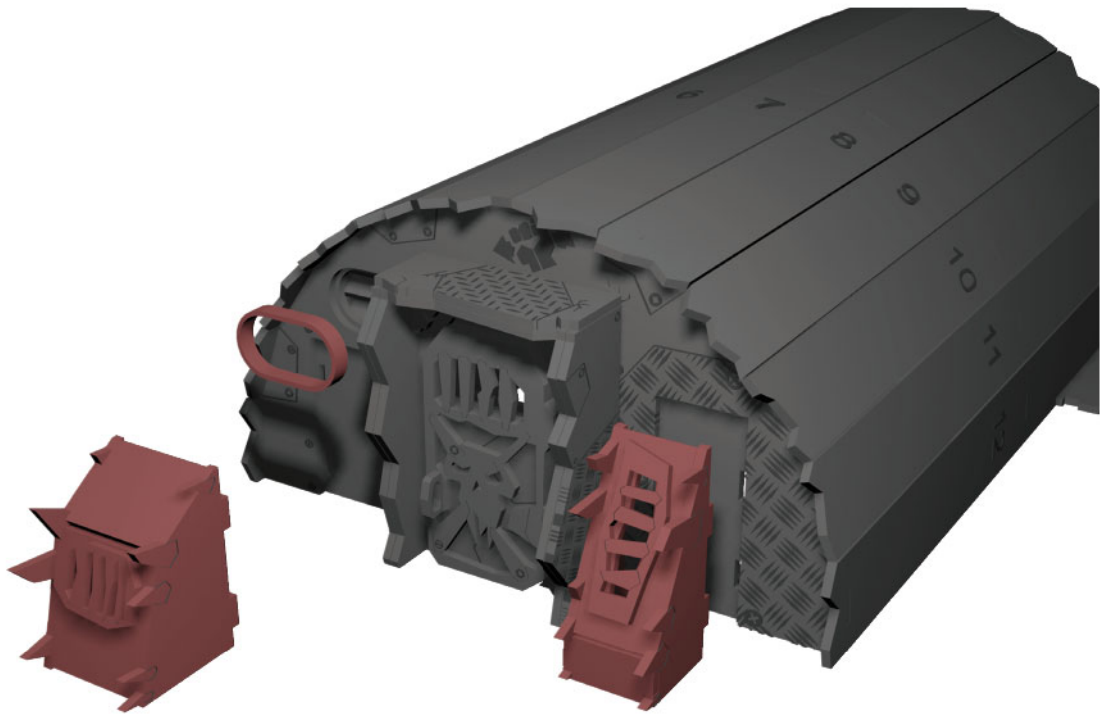
5



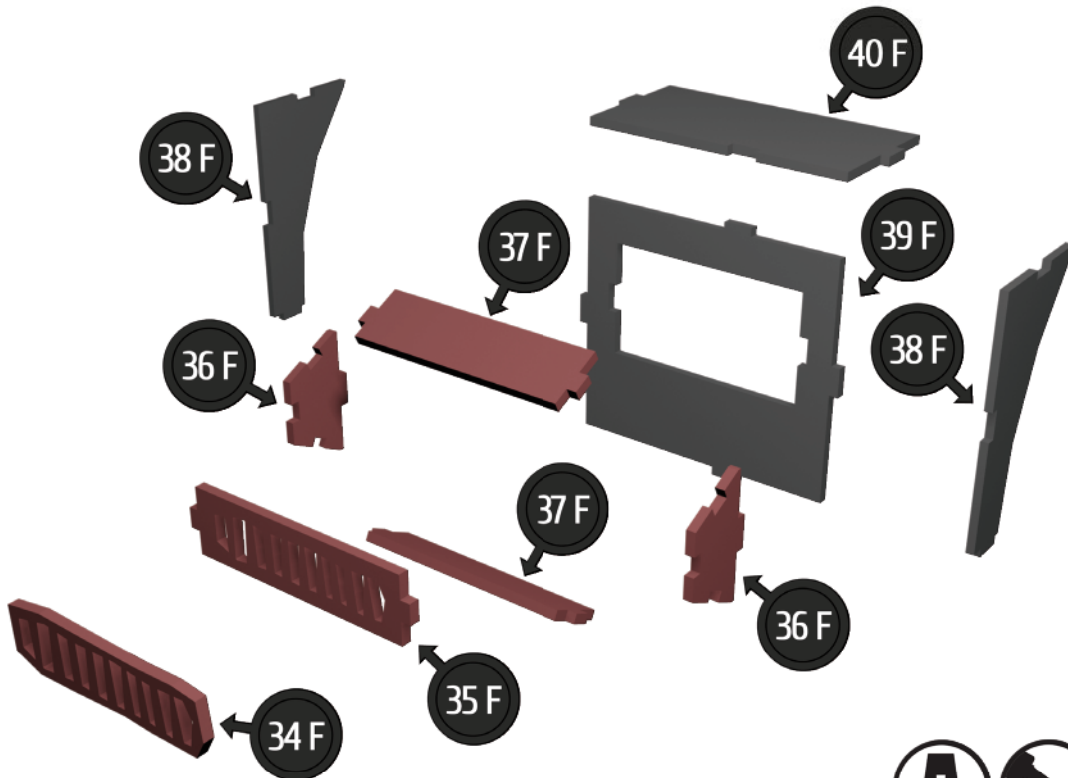
6



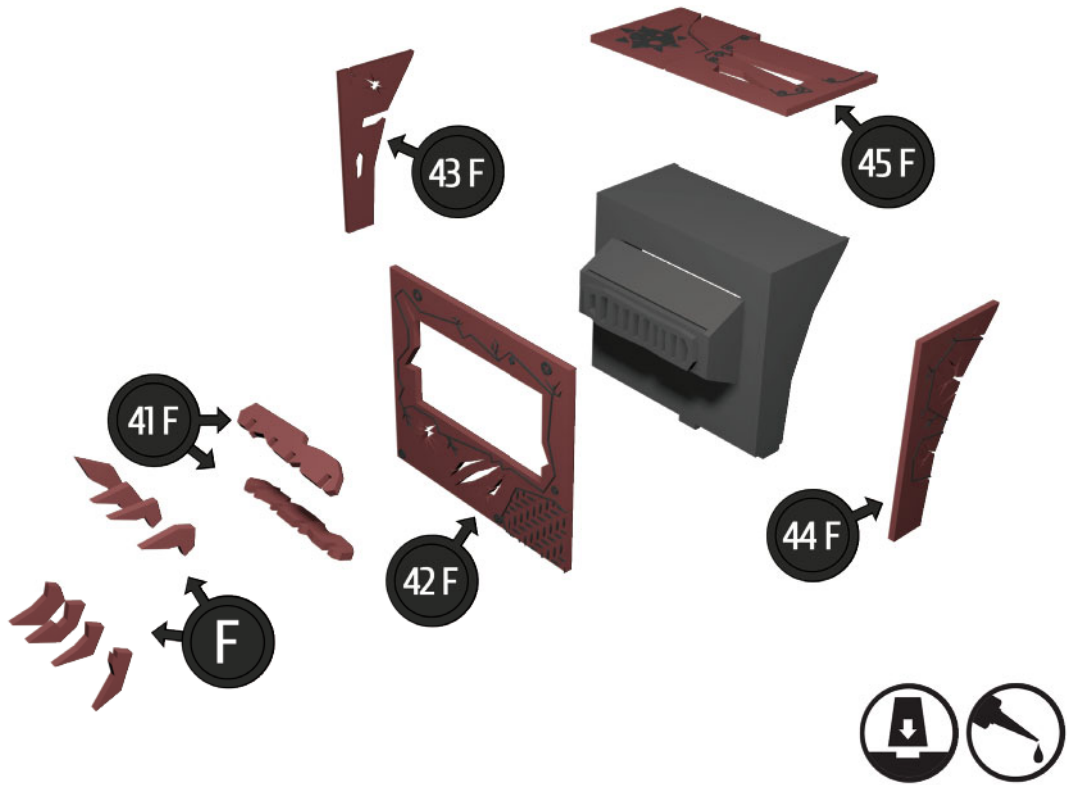
7



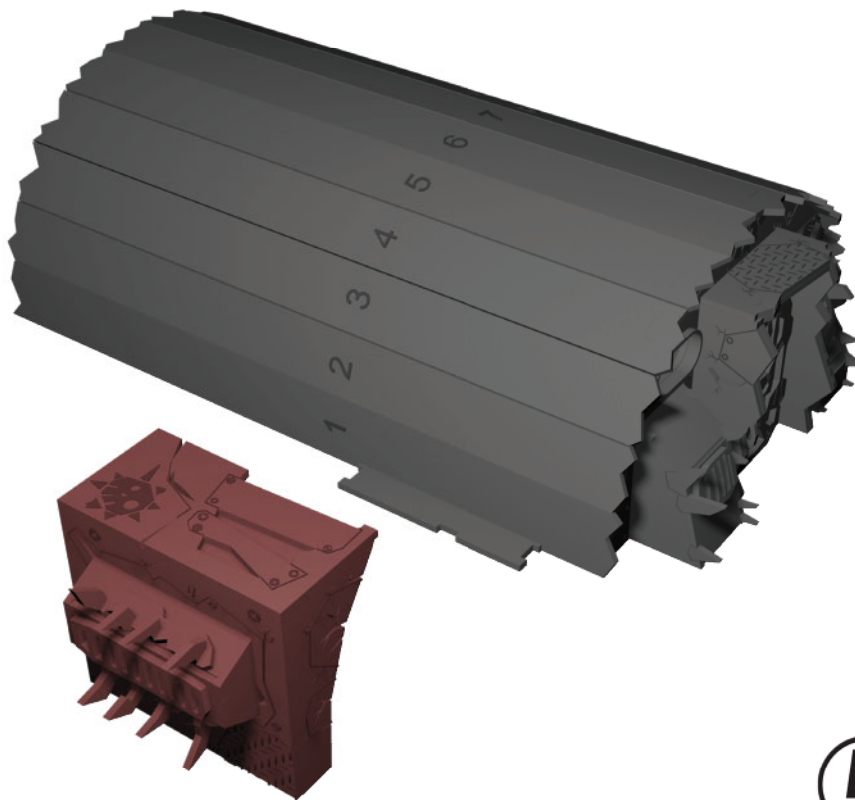
8



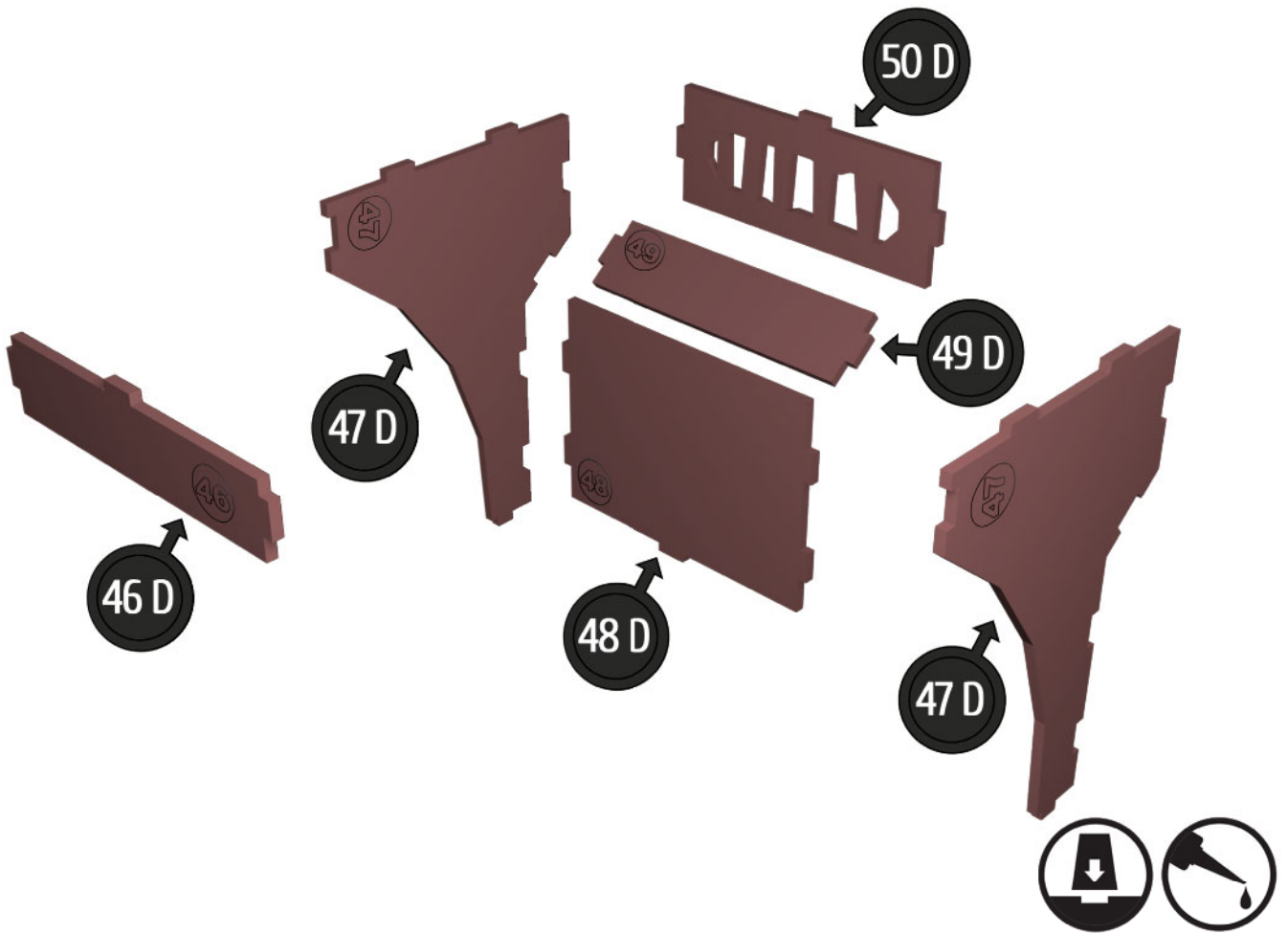
9



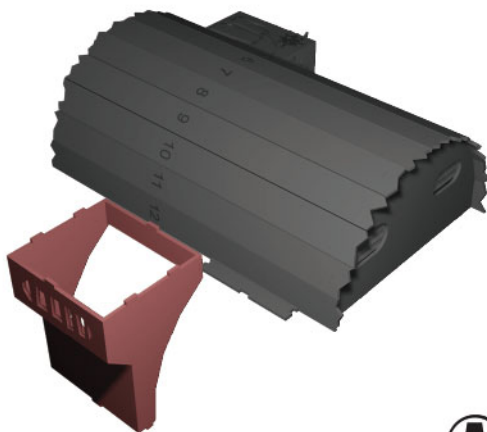
10



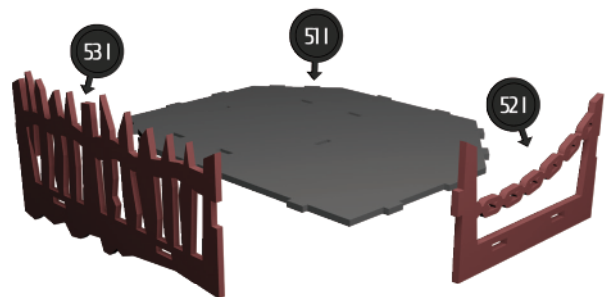
11



12

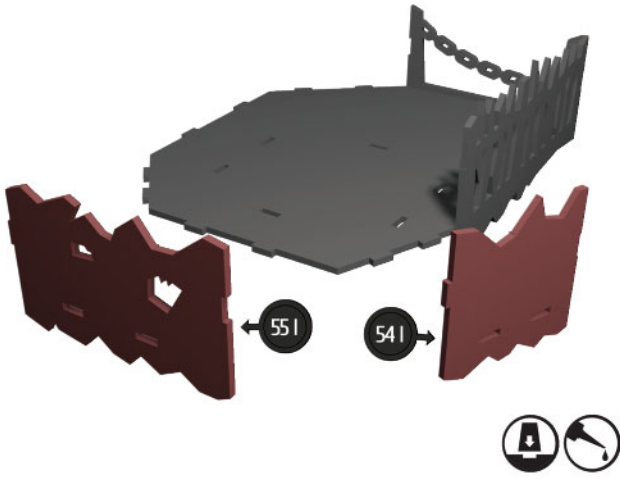


13

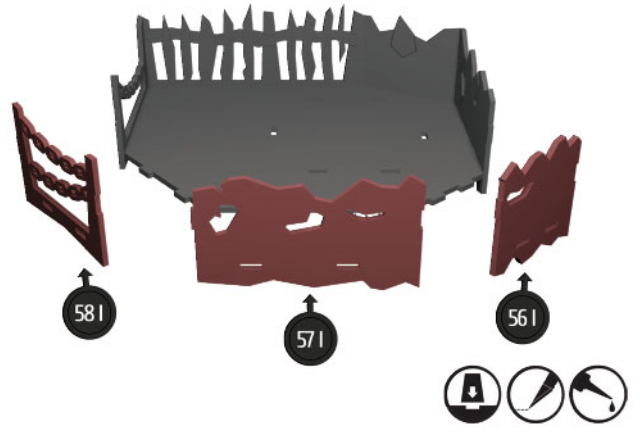


14

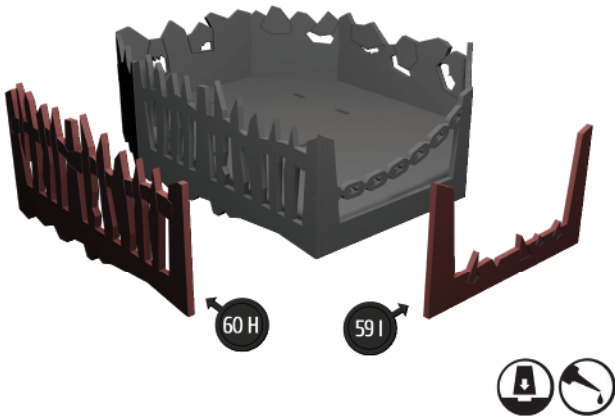




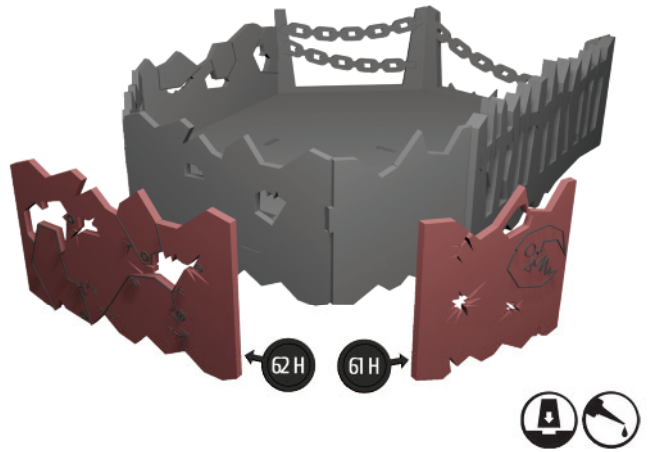
15



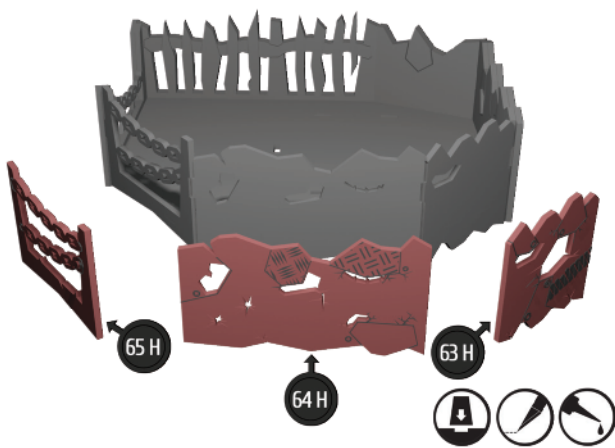
16



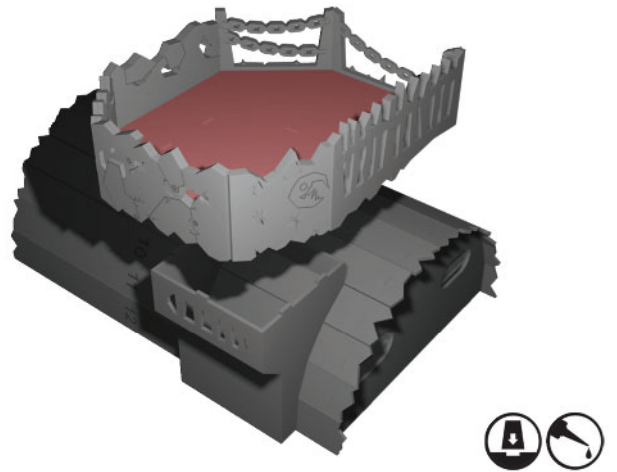
17



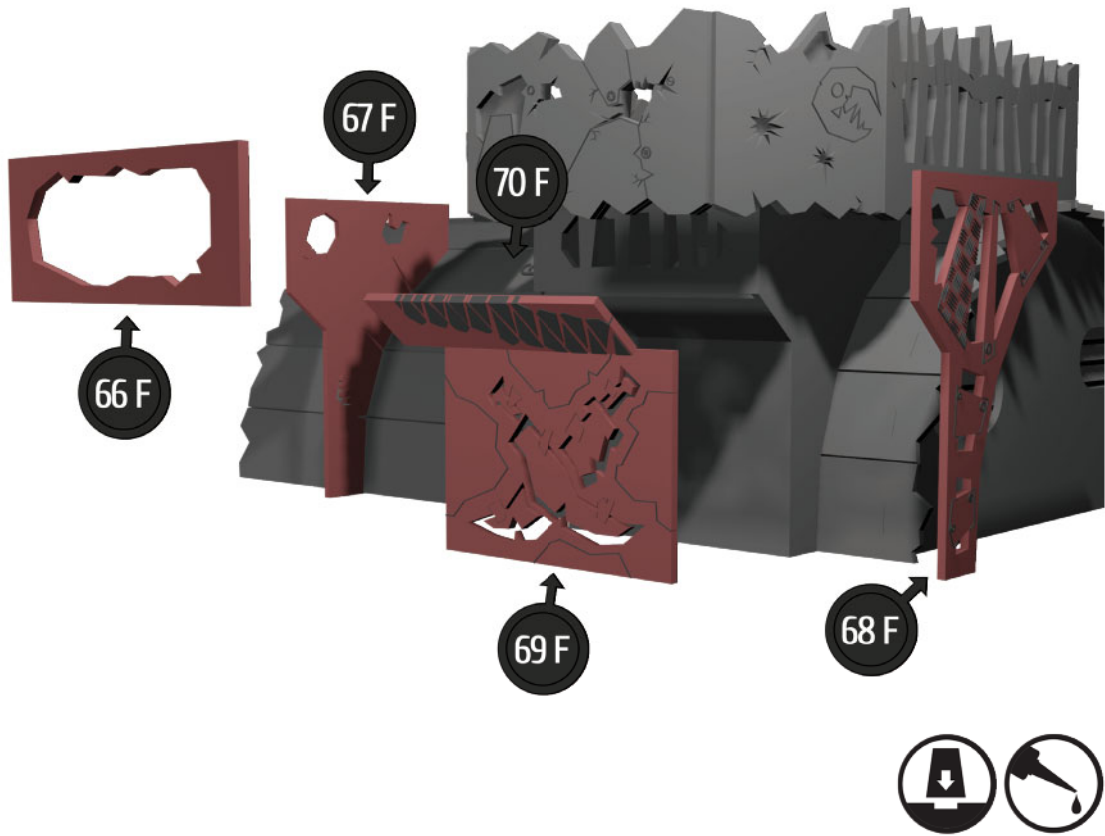
18



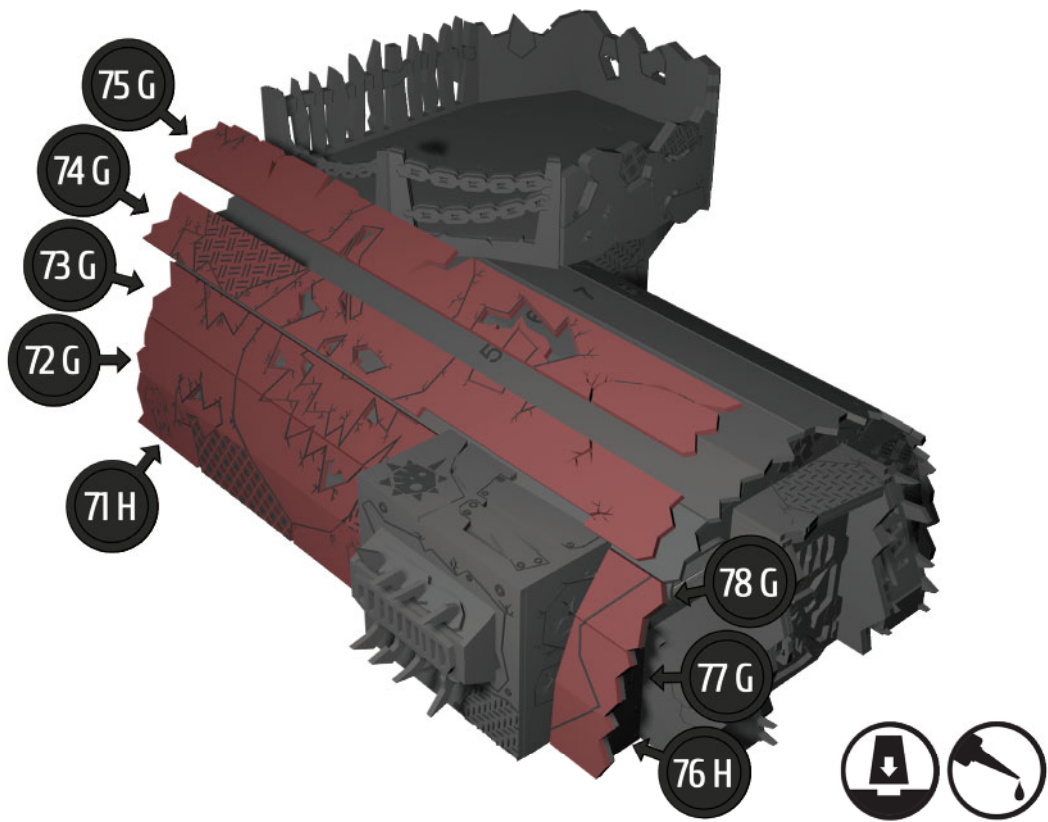
19



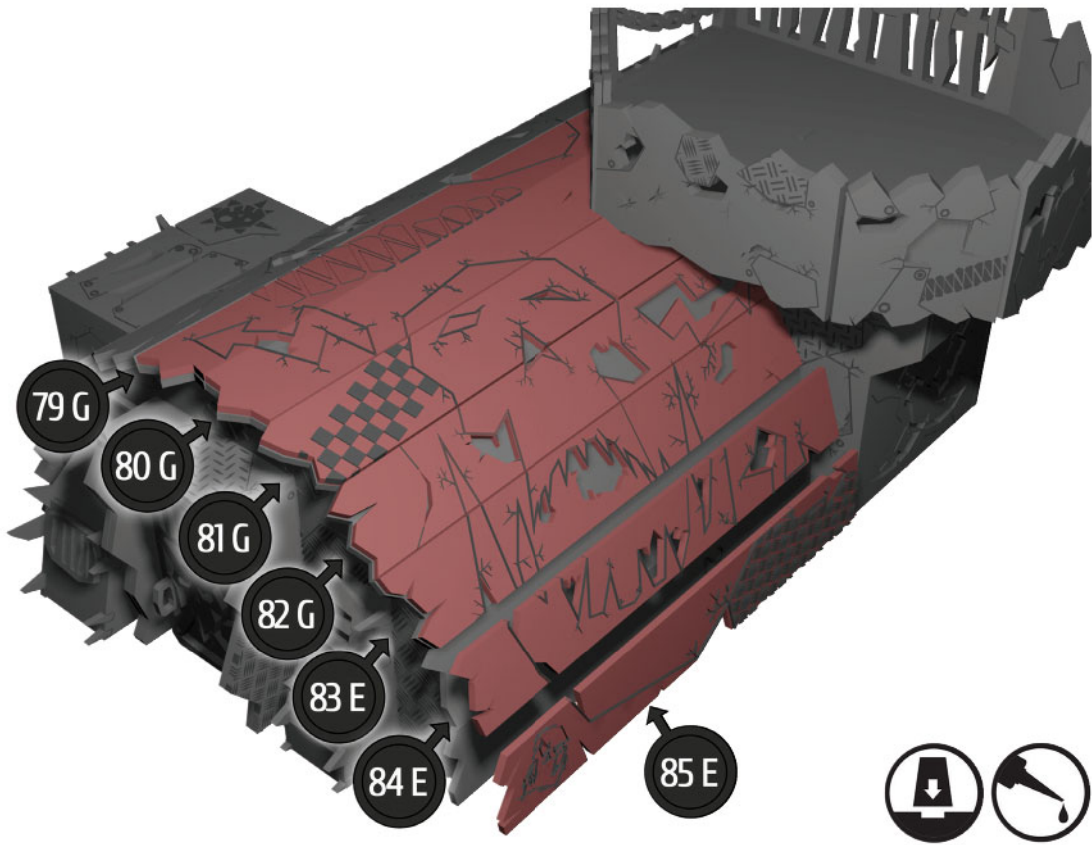
20



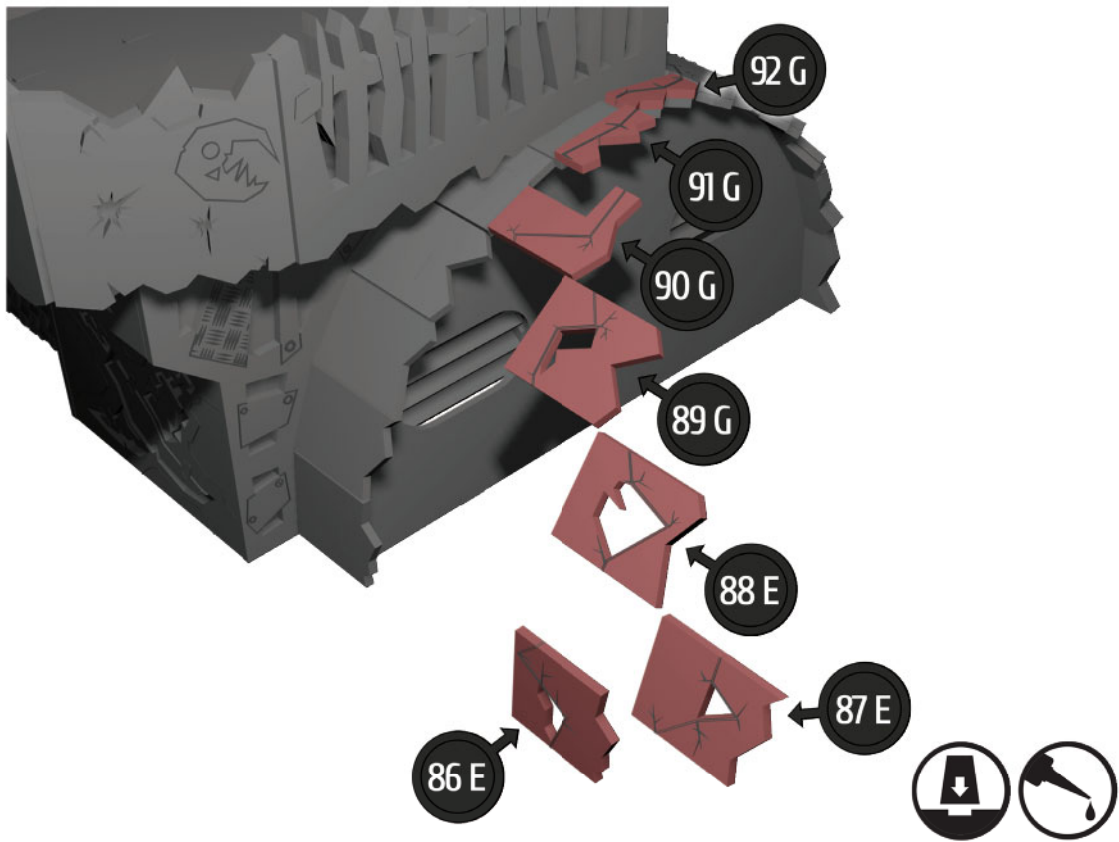
21



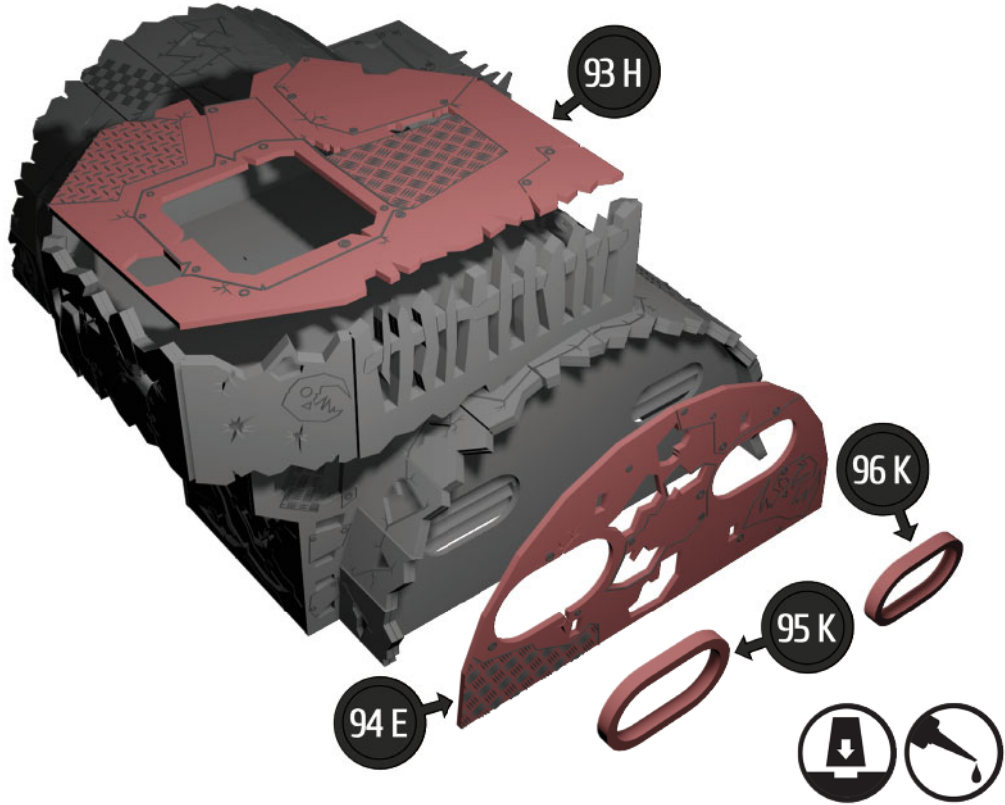
22



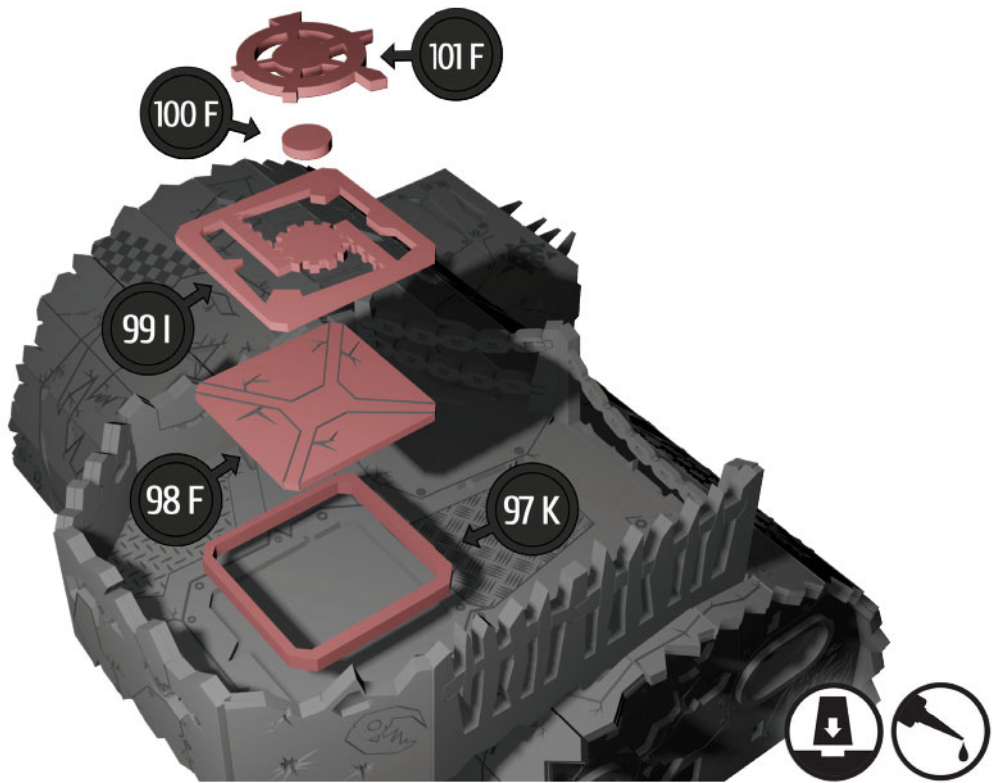
23



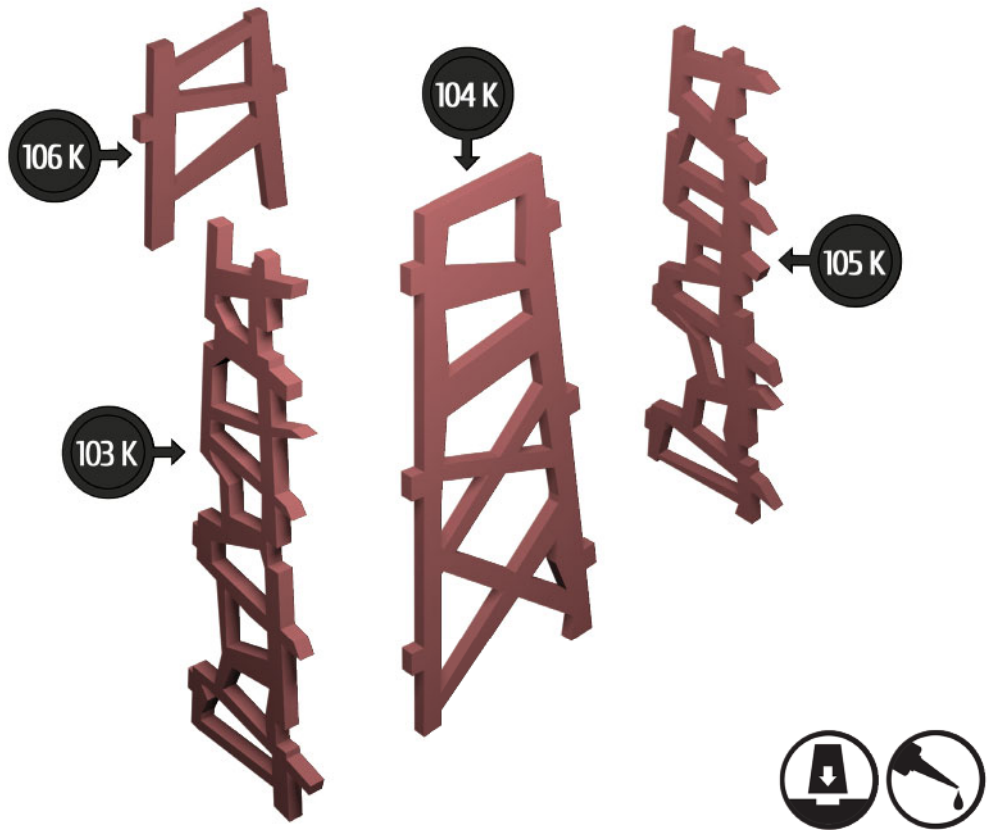
24



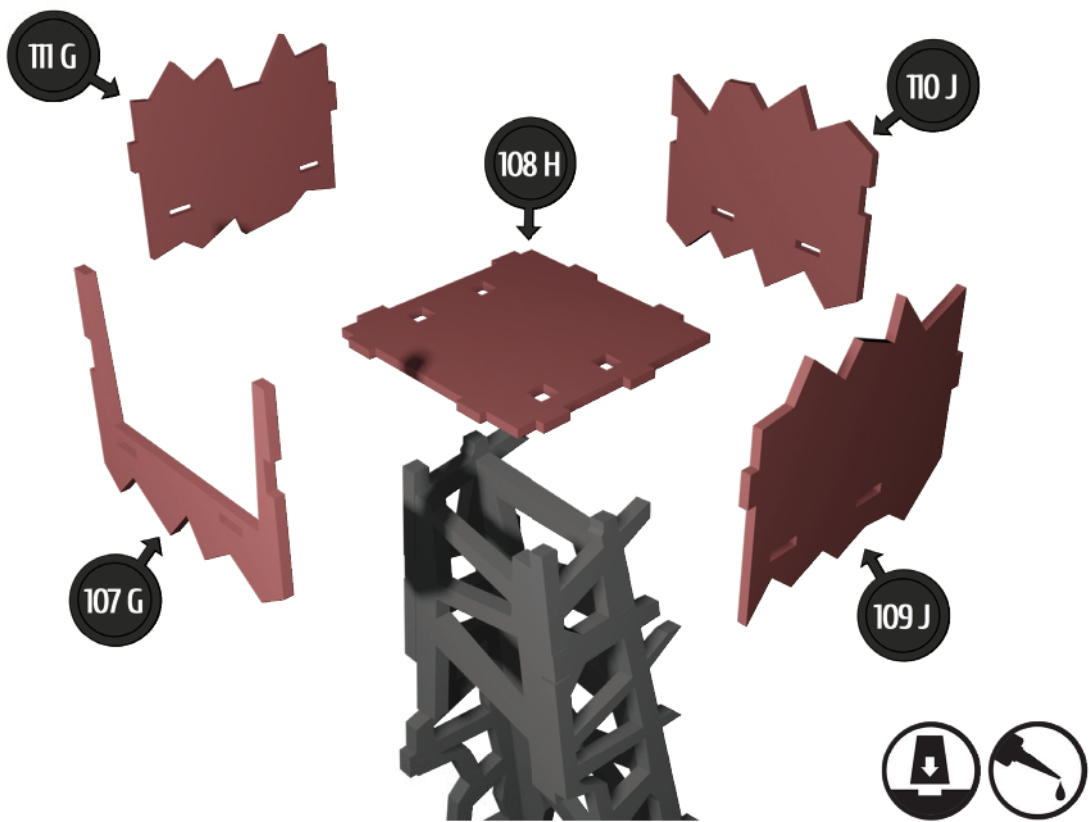
25



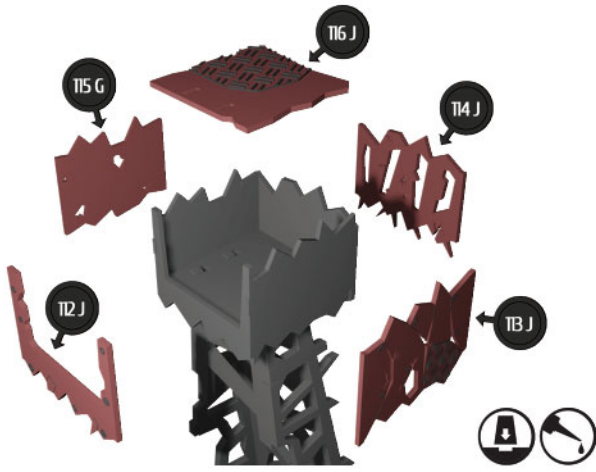
26



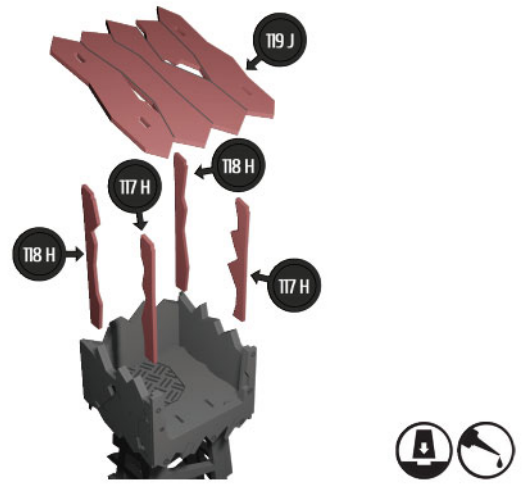
27



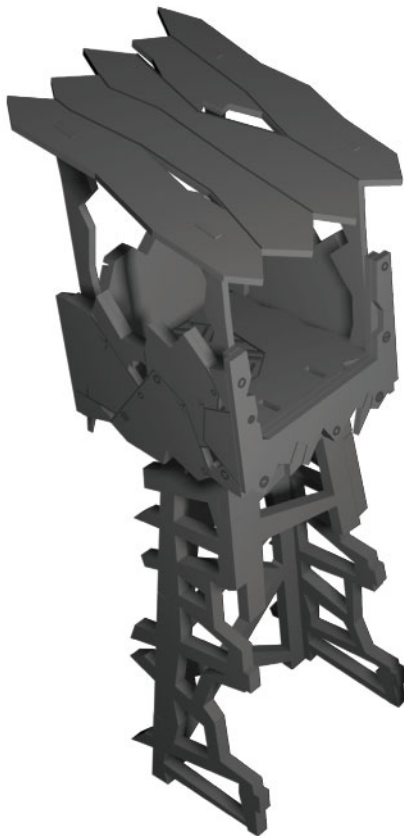
28



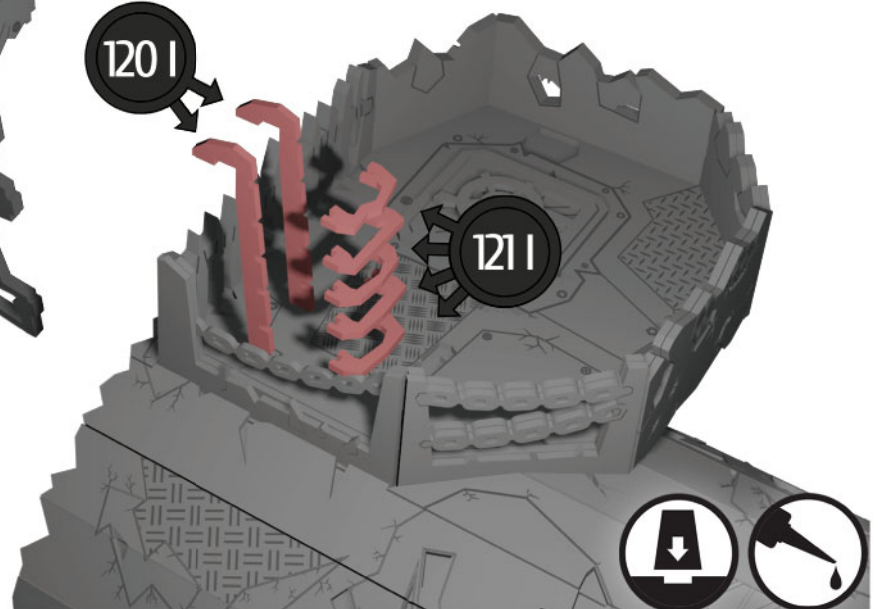
29



30



The tower itself doesn't have to be glued to the building.



31

---

# FINISHED STRUCTURE

---

