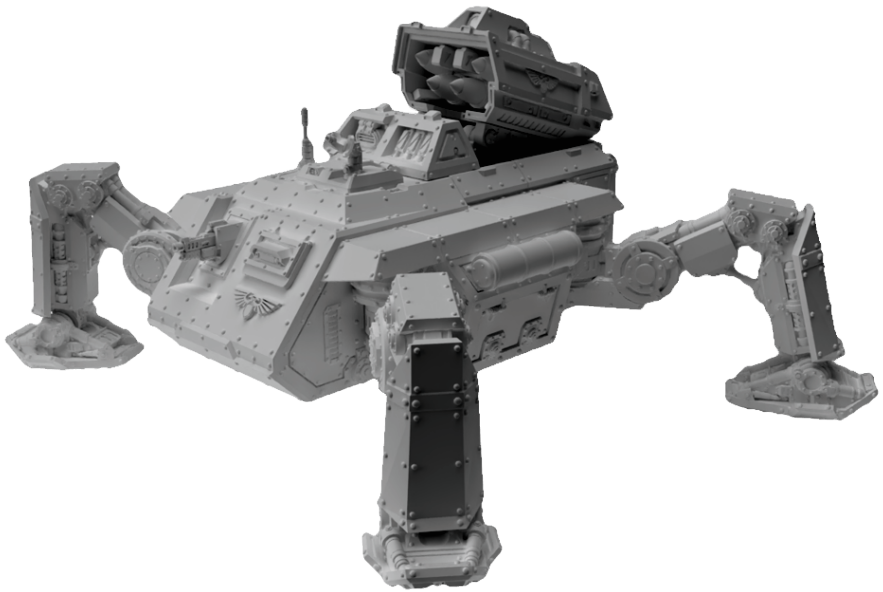




BANSHEE ROCKET WALKING TANK



EXPLANATION OF SYMBOLS



DRY TEST



CUT/TRIM
WITH CARE



GLUE



DON'T GLUE



PAY
ATTENTION



EXTRA PART



5 908291 076221

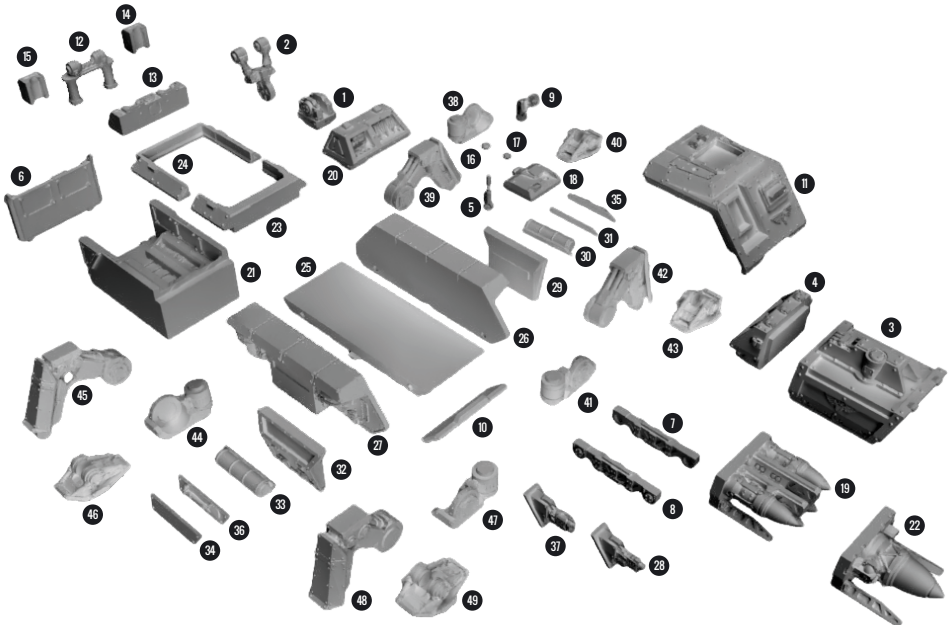
KRVB137
Made in Poland



Visit our webstore
WWW.BITSOFWAR.COM

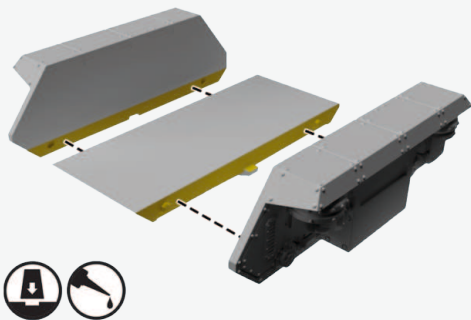
ASSEMBLING THE MODEL

Before anything else, check if your set is complete and examine for any quality errors. Secondly, dip all parts in water with washing liquid to remove any remains of casting process. Use a toothbrush to scrub each element thoroughly. Modelling clippers and hobby knife are obligatory to remove the casting gates, vents and shims safely from the models. For a more detailed instructions of working with resin, please refer to the document on the Download section of Kromlech's website.

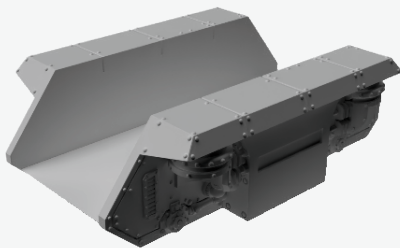


COMPONENTS

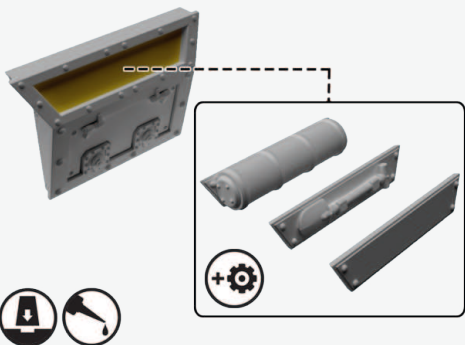
1. Lift Gear
2. Lifting Pistons Front
3. Rocket Box
4. Rocket Box Back
5. Antenna Short
6. Back Panel
7. Beam Left
8. Beam Right
9. Dish Antenna
10. Front Armour Down
11. Front Armour Top
12. Heavy Lifting Pistons
13. Pistons Base
14. Pistons Base Lock Left
15. Pistons Base Lock Right
16. Antenna Plug
17. Antenna Plug
18. Rectangular Hatch
19. Inferno Rockets
20. Rocket Box Front
21. Body Gun Base
22. Armageddon Rocket
23. Body Gun Base Front
24. Body Gun Base Back
25. Body Down Part
26. Body Left Part
27. Body Right Part
28. Front Heavy Thunder Gun
29. Left Side Armour
30. Side Armour Fuel Panel Left
31. Side Armour Steel Panel Left
32. Right Side Armour
33. Side Armour Fuel Panel Right
34. Side Armour Steel Panel Right
35. Side Armour Shovel Panel Left
36. Side Armour Shovel Panel Right
37. Front Heavy Flamer
38. Left Back Bracket
39. Left Back Leg
40. Left Back Foot
41. Left Front Bracket
42. Left Front Leg
43. Left Front Foot
44. Right Back Bracket
45. Right Back Leg
46. Right Back Foot
47. Right Front Bracket
48. Right Front Leg
49. Right Front Foot



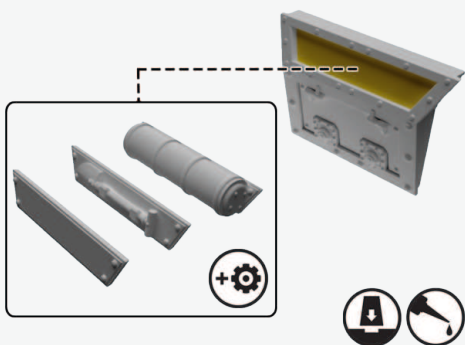
1



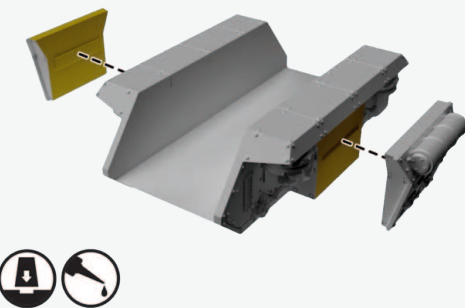
2



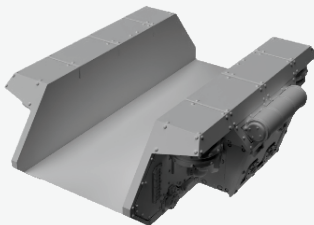
3



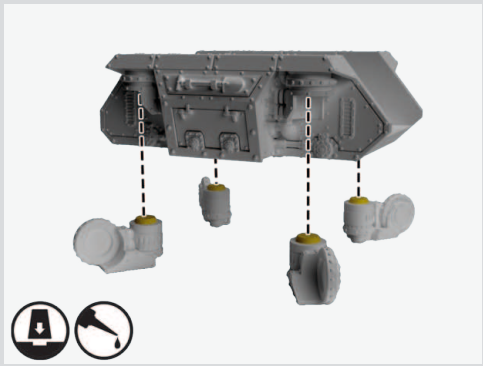
4



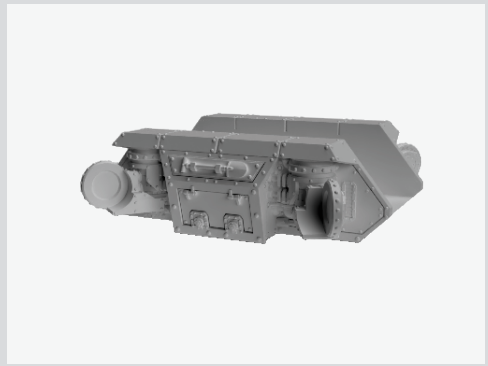
5



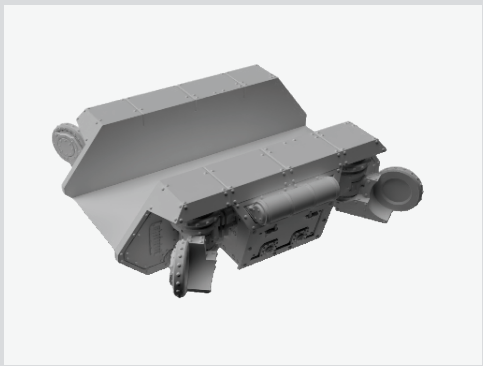
6



7



8



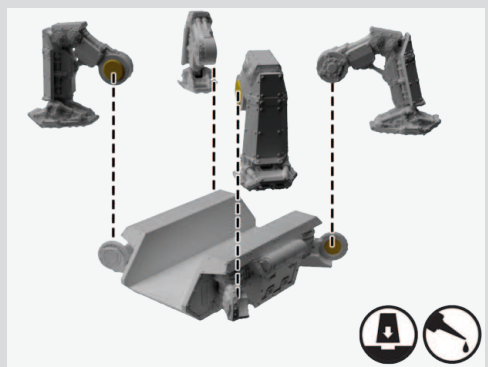
9



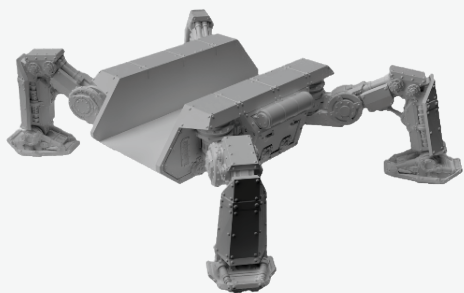
10



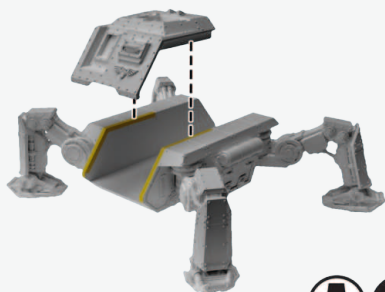
11



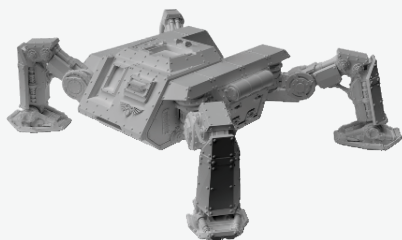
12



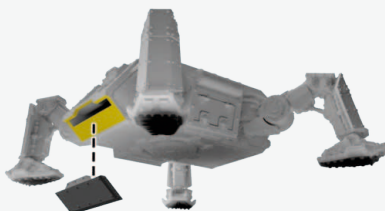
13



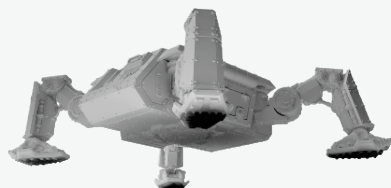
14



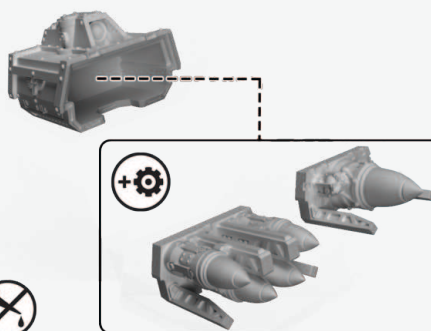
15



16



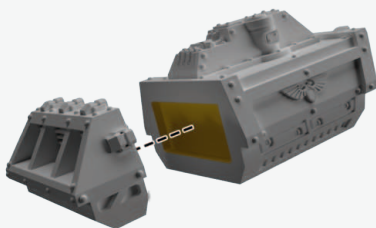
17



18



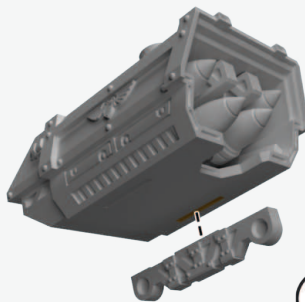
19



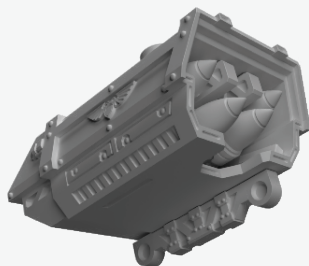
20



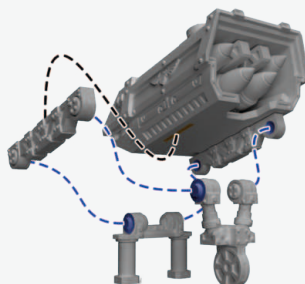
21



22



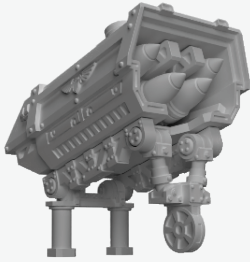
23



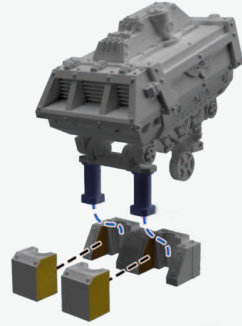
Do not put glue on the elements marked blue.



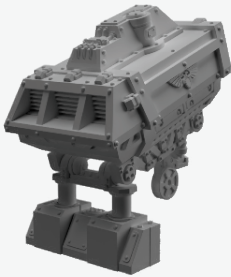
24



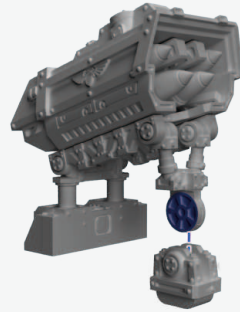
25



26



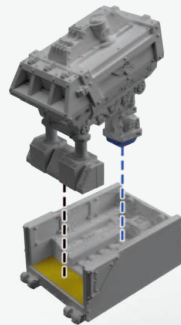
27



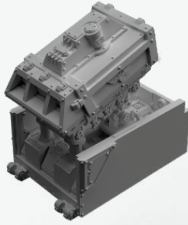
28



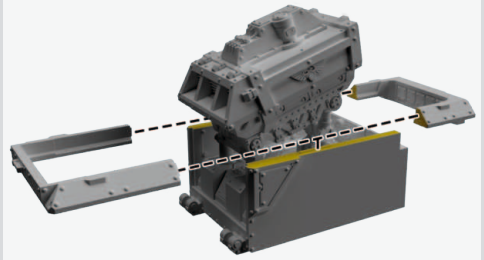
29



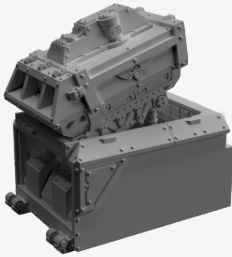
30



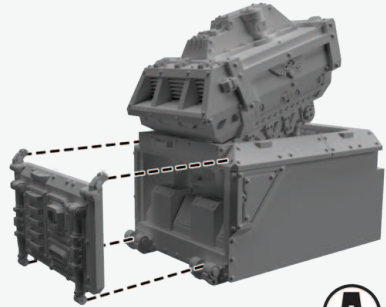
31



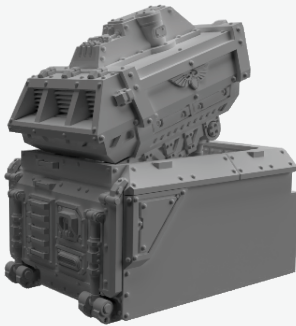
32



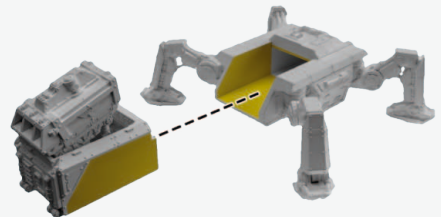
33



34



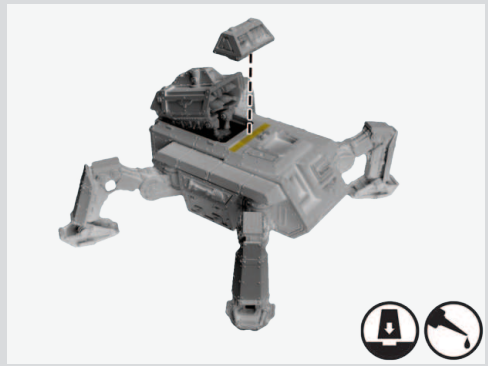
35



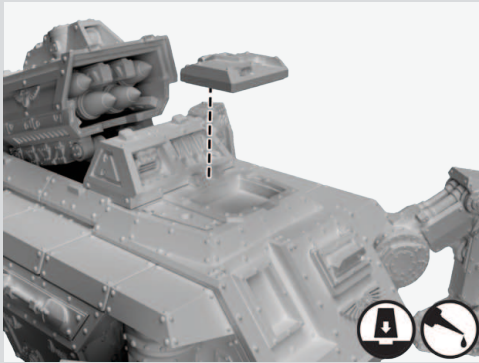
36



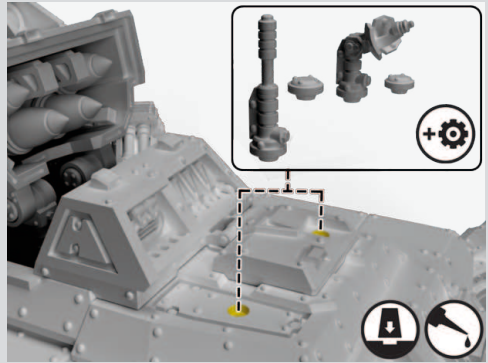
37



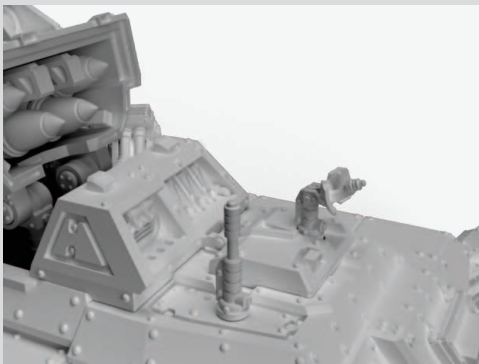
38



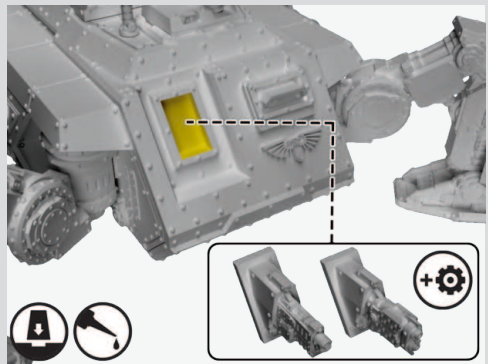
39



40



41



42

