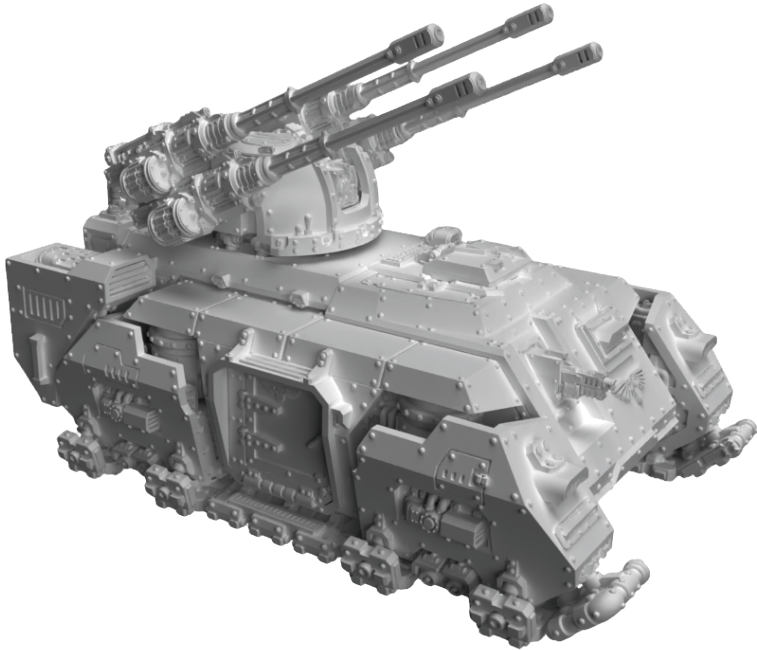




IMPERIAL TANK ANTIGRAV PROPULSION



EXPLANATION OF SYMBOLS



DRY TEST



CUT/TRIM
WITH CARE



GLUE



DON'T GLUE



PAY
ATTENTION



EXTRA PART



5 908291 078317

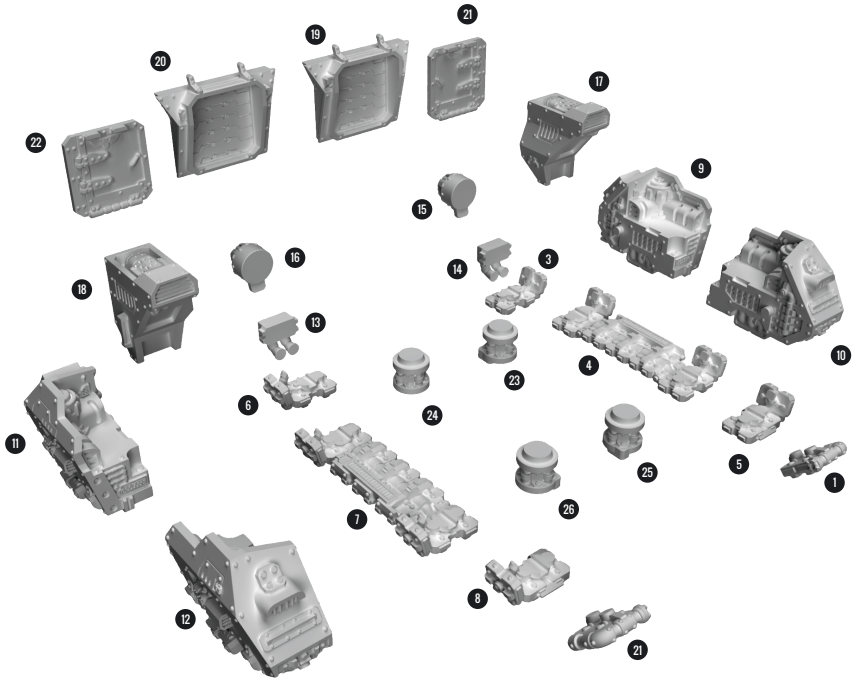
KRVB154
Made in Poland



Visit our webstore
WWW.BITSOFWAR.COM

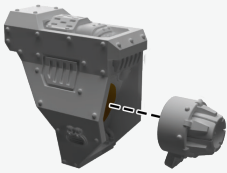
ASSEMBLING THE MODEL

Before anything else, check if your set is complete and examine for any quality errors. Secondly, dip all parts in water with washing liquid to remove any remains of casting process. Use a toothbrush to scrub each element thoroughly. Modelling clippers and hobby knife are obligatory to remove the casting gates, vents and shims safely from the models. For a more detailed instructions of working with resin, please refer to the document on the Download section of Kromlech's website.



COMPONENTS

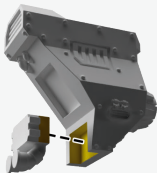
- | | | |
|---------------------------------------|----------------------------------|-----------------------------|
| 1. Antigrav Module Front Bumper Left | 11. Antigrav Armour Right Back | 21. Side Armour Doors Left |
| 2. Antigrav Module Front Bumper Right | 12. Antigrav Armour Right Front | 22. Side Armour Doors Right |
| 3. Antigrav Module Left Back | 13. Backpipes Right | 23. Back Left Piston |
| 4. Antigrav Module Left Center | 14. Backpipes Left | 24. Back Right Piston |
| 5. Antigrav Module Left Front | 15. Rear Engine Left | 25. Front Left Piston |
| 6. Antigrav Module Right Back | 16. Rear Engine Right | 26. Front Right Piston |
| 7. Antigrav Module Right Center | 17. Rear Module Left | |
| 8. Antigrav Module Right Front | 18. Rear Module Right | |
| 9. Antigrav Armour Left Back | 19. Side Armour Door Panel Left | |
| 10. Antigrav Armour Left Front | 20. Side Armour Door Panel Right | |



01



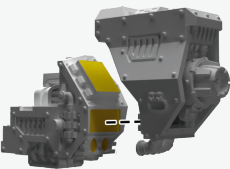
02



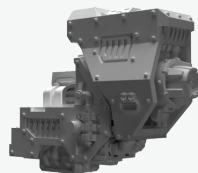
03



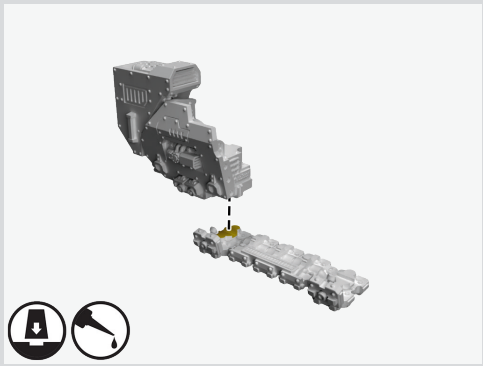
04



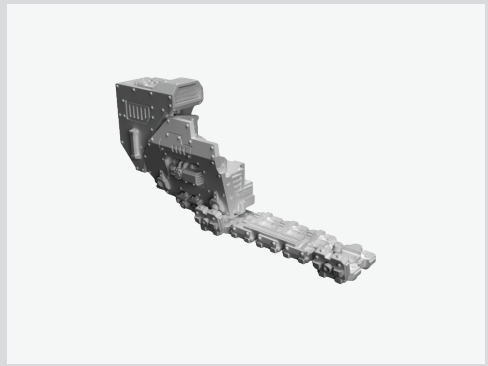
05



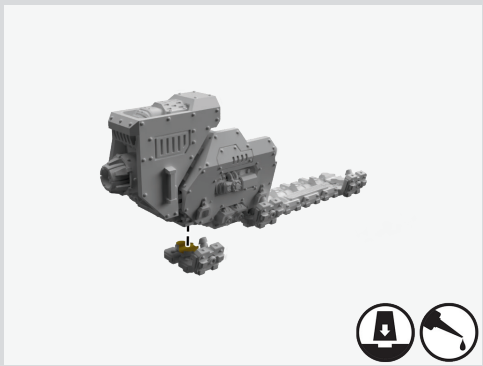
06



07



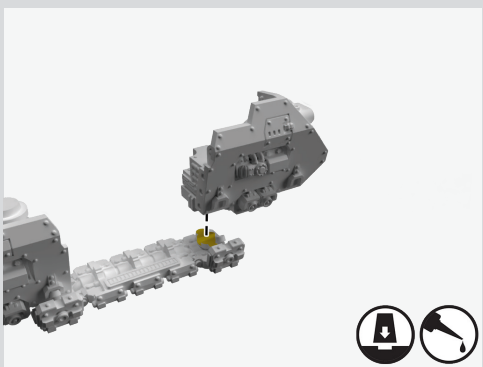
08



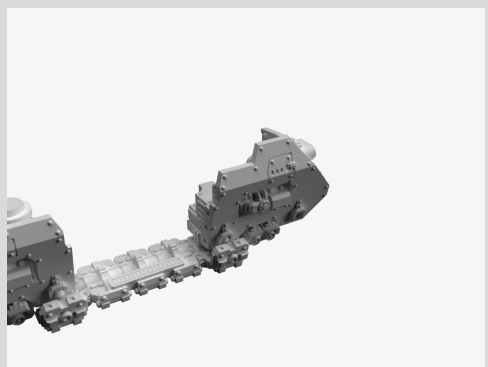
09



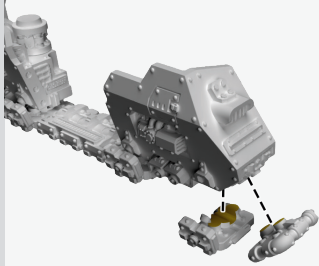
10



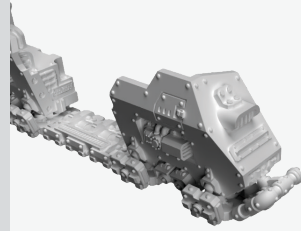
11



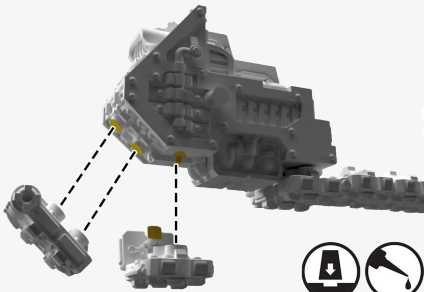
12



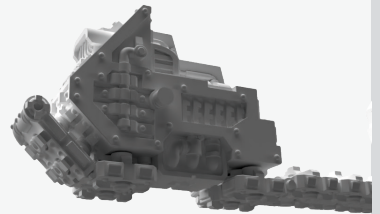
13



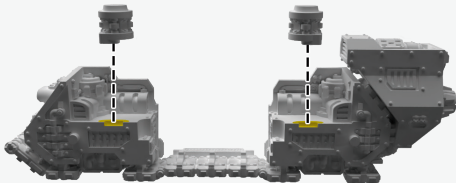
14



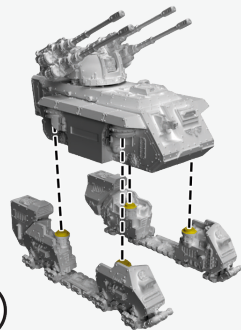
15



16



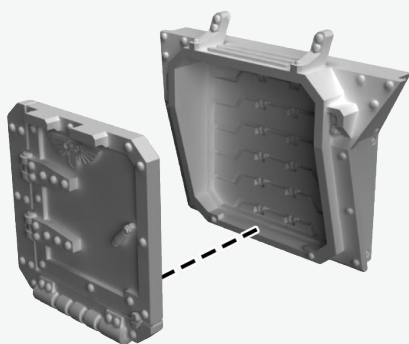
17



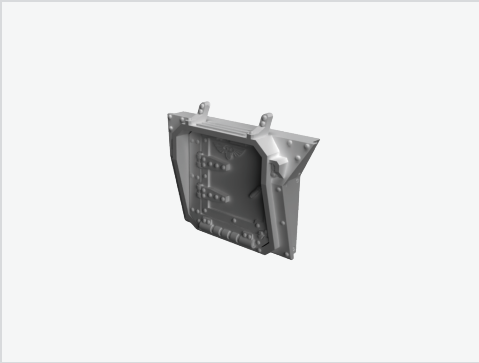
18



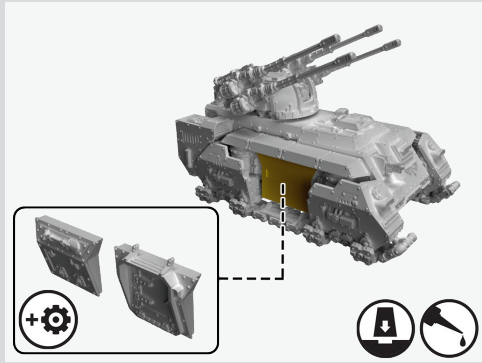
19



20



21



22



23